

RADUS[®] SU1

NUMBERING AND IMPRINTING HEAD

Stamp Inks



www.radus.de

Radus SU1

Whenever simple numbering is required, the SU1 numbering head, proven thousands of times in use, can demonstrate its performance. With the extremely low printing costs, it is unrivalled in its field of application.

The integrated inking unit with ink tank provides a continuous supply of ink. Oil-based stamping inks are used for printing on absorbent materials made from paper and carton. Used in combination with steel rotary numbering machines, the controllable pressure setting of the SU printing heads provides easy crash numbering of NCR form sets.

For individual adjustment to the print position, the printing unit can be turned up to 360° around its own axis.

Depending on their application, the SU numbering heads can be mounted on the Radus 400 table model or directly into the fully-automated machines of the CFS and SV series; in addition, the numbering heads can be integrated as OEM modules in third-party machines with intermittent modes using a separate control.

SPECIFICATIONS

Functions

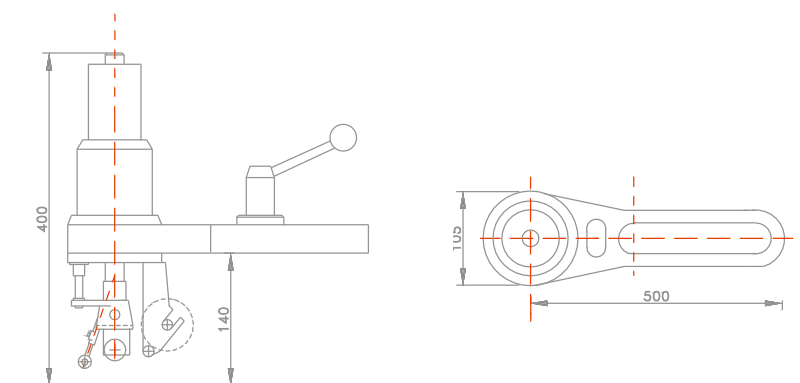
- _Numbering
- _Crash-numbering
- _Rotary numbering machines with standard and custom engravings

Basic system numbering- and imprinting heads Radus-SU series

Control Electronic / electromagnetic
 Operation Automatic / intermittent

SU1

Print carrier Rotary numbering machines of steel
 Printink ink Stamp inks, oil-based
 Fonts e.g. gothic as well as custom engravings
 Printing area approx. 35x5mm
 Weight 8,5kg
 Performance up to 15,000 numberings/h



0101374

